

global **SYSTEM**

Branngardiner

Global System



NORSKE PORTER[®]
www.norskeporter.no

Om Global System

GLOBAL SYSTEM er en ledende produsent av branngardiner og lastesystemer. Kjerneproduktene som tilbys av selskapet er:

Brannklassifiserte rullegardiner,
Horisontale skyvedører,
Vertikale brannører.

Selskapet tilbyr også bevegelige og faste røykgardiner.

I tillegg til brannklassifiserte løsninger, tilbyr de også lastesystemer med et komplett utvalg av tilbehør som brukes i lasteteknologi for industri, ledd- og rulleporter og hurtigporter.

GLOBAL SYSTEM har snart tjue års erfaring med salg av brannsikrings- og lastesystemer. De er i stand til å gi kunden helhetlige løsninger som gjør at bygget kan utstyres fra én leverandør.

Alle våre produkter er utformet i samsvar med de høyeste standarder for normer og helse- og sikkerhetsforskrifter.

Vi gir alltid profesjonell og omfattende teknisk rådgivning fra designfasen til implementeringen.



Innhold

Branngardin E 120/EW30	Side 1
Banngardin E120/EW60	Side 3
Branngardin EI15, EI30, EI45, EI60	Side 5
Branngardin EI90, EI120	Side 9



FIRE-RATED ROLLER SHUTTER AUTOMATIC

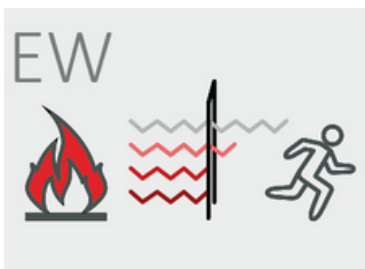
GSF KPR E120/EW30

GSF KPR E120/EW30 Fire-Rated Roller Shutter by GLOBAL SYSTEM is intended for closing off opening in vertical partitions, both internal and external. The main purpose of the shutter is to **limit flame spread for 120 minutes** and to **limit the spread of gases and heat flux for 30 minutes**. Shutters separate fire zones in buildings. They can be applied in public facilities and in other types of buildings. GSF KPR E120/EW30 shutter by GLOBAL SYSTEM is equipped with an electric drive.



► CONSTRUCTION OF ROLLER SHUTTER

The curtain gate consists of: curtain coat, shaft casing, guides, ballast strip, electric drive, control panel.



Limits the flow of flames, gases and heat ✓

Separation of fire zones ✓

Compact and light construction ✓

Easy to assembly ✓

► ADDITIONAL INFORMATION

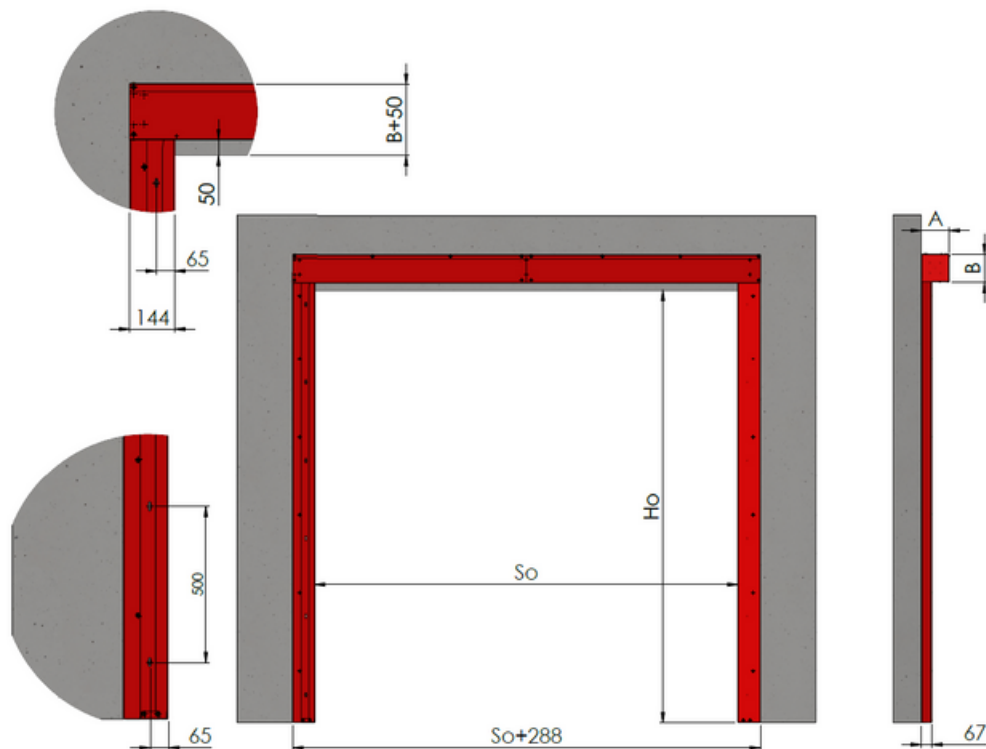
The **curtain gate coat** is made of fire-proof fabric, which is wound on a shaft and fixed between the guides. The gate is controlled by the **control panel** which starts the motor and lowers the curtain when it receives a signal from a smoke detector or from a fire smoke alarm. In case of power failure, the control panel is supplied by built-in batteries. The emergency power supply time is up to 24 hours. **Shaft casing and guides** of the curtain gate are made of galvanized steel sheet as a standard. All elements made of galvanized sheet can be painted in any colour from the RAL palette. **Fasteners (screws)** are made of galvanized steel, which are not painted as standard.

GLOBAL SYSTEM GSF KPR E/EW rolling fire gates are made in accordance with the harmonized standard: EN 16034:2014, EN 13241:2003+A2:2016.

CONSTRUCTION CONDITIONS

GSF KPR E120/EW30 automatic

The installation conditions specify the space required for the gate installation . All dimensions not shown in the terms and conditions are to be agreed individually.



Main Dimensions				
So	Ho	B+50	A	B
Opening width [mm]	Opening height [mm]	Minimum lintel height [mm]	Box width [mm]	Box height [mm]
min. = 500 max. = 13000	min. = 500 max. = 6000			
≤ 2710	≤ 2820	215	165	165
≤ 3212	≤ 3200	230	180	180
≤ 4000	≤ 6000	350	300	300
≤ 6000	≤ 6000	400	350	350
≤ 7500	≤ 6000	450	400	400
≤ 12000	≤ 6000	550	500	500
≤ 13000	≤ 6000	650	600	600
Additional informations				
Guide rail width [mm]		144		
Guide rail depth [mm]		67		
Coat weight (per 1m ²)[kg]		0,71		

Warning:

The surface for mounting the gate, upper head box and the side guides must be vertical and even (smooth), tolerance 1mm/m.

Otherwise, the customer is obliged to level the surface before installation.

The documentation made by GLOBAL SYSTEM is protected by copyright.

The manufacturer has the right to change the dimensions of the development during the execution of the order.

The manufacturer reserves the form of legalization of the product in case of order.

All additional information to be agreed with the GLOBAL SYSTEM Technical Department

Side 2

FIRE-RATED ROLLER SHUTTER AUTOMATIC

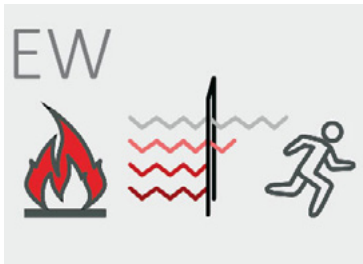
GSF KPR E120/EW60

GSF KPR E120/EW60 Fire-Rated Roller Shutter by GLOBAL SYSTEM is intended for closing off opening in vertical partitions, both internal and external. The main purpose of the shutter is to **limit flame spread for 120 minutes and to limit the spread of gases and heat flux for 60 minutes**. Shutters separate fire zones in buildings. They can be applied in public facilities and in other types of buildings. GSF KPR E120/EW60 shutter by GLOBAL SYSTEM is equipped with an electric drive.



► CONSTRUCTION OF ROLLER SHUTTER

The curtain gate consists of: curtain coat, shaft casing, guides, ballast strip, electric drive, control panel.



Limits the flow of flames, gases and heat ✓

Separation of fire zones ✓

Compact and light construction ✓

Easy to assembly ✓

► ADDITIONAL INFORMATION

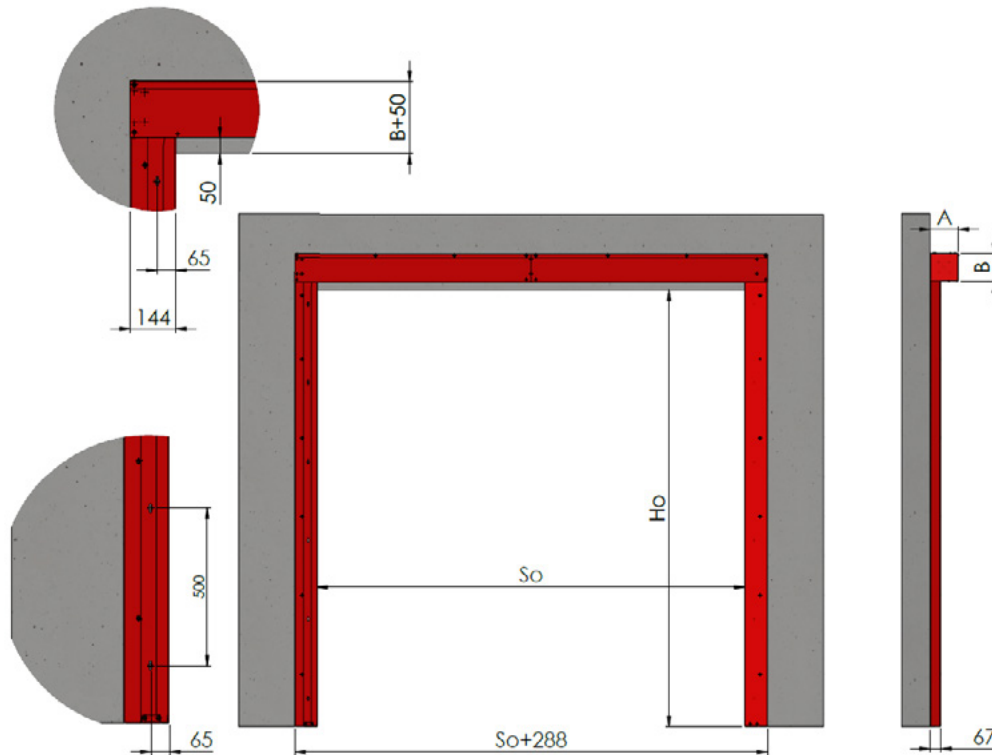
The **curtain gate coat** is made of fire-proof fabric, which is wound on a shaft and fixed between the guides. The gate is controlled by the **control panel** which starts the motor and lowers the curtain when it receives a signal from a smoke detector or from a fire smoke alarm. In case of power failure, the control panel is supplied by built-in batteries. The emergency power supply time is up to 24 hours. **Shaft casing and guides** of the curtain gate are made of galvanized steel sheet as a standard. All elements made of galvanized sheet can be painted in any colour from the RAL palette. **Fasteners (screws)** are made of galvanized steel, which are not painted as standard.

GLOBAL SYSTEM GSF KPR E/EW rolling fire gates are made in accordance with the harmonized standard: EN 16034:2014, EN 13241:2003+A2:2016.

CONSTRUCTION CONDITIONS

GSF KPR E120/EW60 automatic

The installation conditions specify the space required for the gate installation . All dimensions not shown in the terms and conditions are to be agreed individually.



Main Dimensions				
So	Ho	B+50	A	B
Opening width [mm]	Opening height [mm]	Minimum lintel height [mm]	Box width [mm]	Box height [mm]
min. = 500 max. = 12000	min. = 500 max. = 6000			
≤ 2710	≤ 2820	230	180	180
≤ 4000	≤ 3400	300	250	250
< 3500	≤ 4500	300	250	250
≤ 4500	≤ 5000	300	250	250
≤ 5000	≤ 4000	350	300	300
≤ 6200	≤ 5000	400	350	350
≤ 7500	≤ 6000	450	400	400
≤ 12000	≤ 6000	750	700	700
Additional informations				
Guide rail width [mm]		144		
Guide rail depth [mm]		67		
Coat weight (per 1m ²) [kg]		1,8		

Warning:

The surface for mounting the gate, upper head box and the side guides must be vertical and even (smooth), tolerance 1mm/m.

Otherwise, the customer is obliged to level the surface before installation.

The documentation made by GLOBAL SYSTEM is protected by copyright.

The manufacturer has the right to change the dimensions of the development during the execution of the order.

The manufacturer reserves the form of legalization of the product in case of order.

All additional information to be agreed with the GLOBAL SYSTEM Technical Department

Side 4

FIRE-RATED ROLLER SHUTTER AUTOMATIC

GSF KPR EI15, EI30, EI45, EI60

GSF KPR Fire-Rated Roller Shutter by GLOBAL SYSTEM is intended for closing off opening in vertical partitions, both internal and external. The main purpose of the shutter is to **limit the spread of fire and the flow of gases and heat** for 15-60 minutes. Shutters separate fire zones in buildings and enable safe evacuation. They can be applied in public facilities and in other types of buildings. **GSF KPR EI shutter by GLOBAL SYSTEM** is equipped with an electric drive - a tubular motor, usually located on the right side.



▶ TYPES OF FIRE PROTECTION ROLLER SHUTTERS

GSF KPR EI15 – prevents the spread of fire and the flow of gases and heat streams for **15 minutes**

GSF KPR EI30 – prevents the spread of fire and the flow of gases and heat streams for **30 minutes**

GSF KPR EI45 – prevents the spread of fire and the flow of gases and heat streams for **45 minutes**

GSF KPR EI60 – prevents the spread of fire and the flow of gases and heat streams for **60 minutes**

▶ GATE CONSTRUCTION

The curtain gate consists of: curtain coat, shaft housing, guides, ballast strip, electric drive, control unit.



Limits the flow of flames, gases and heat ✓

Separation of fire zones ✓

Ensures the safe evacuation ✓

Compact, light construction ✓

Easy to assemble ✓

▶ ADDITIONAL INFORMATION

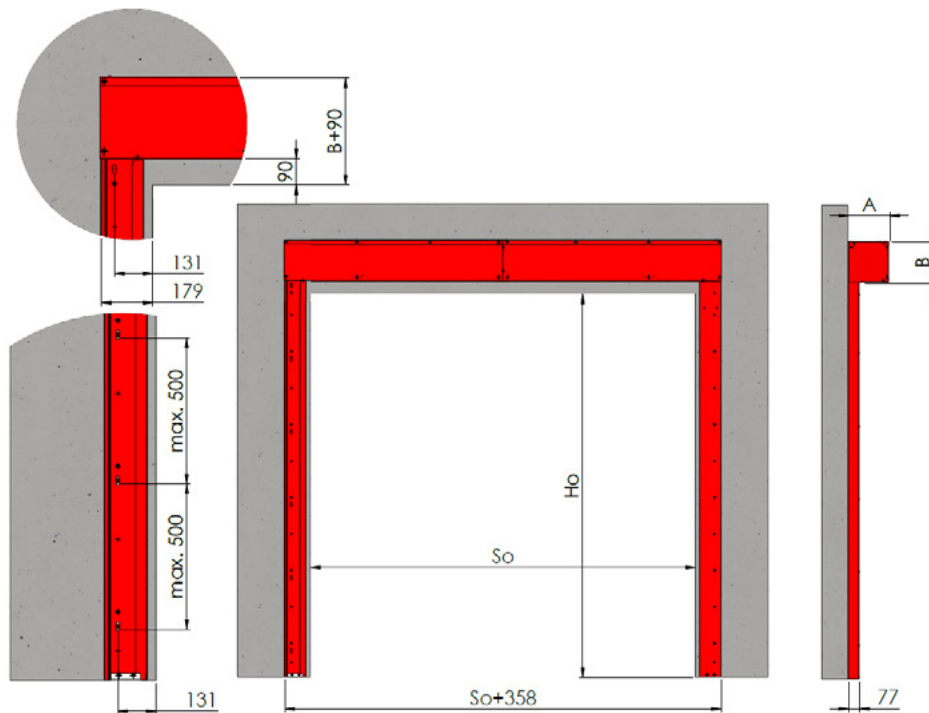
The **curtain gate coat** is made of fire-proof fabric, which is wound on a shaft and fixed between the guides. The door is controlled by the control panel which starts the motor and lowers the curtain when it receives a signal from a smoke detector or from the fire system alarm. In case of power failure, the control panel is supplied by built-in batteries. The emergency power supply time is up to 24 hours. **Shaft casing and guides of the curtain gate** are made of galvanized steel sheet as a standard. All elements made of galvanized sheet can be painted in any colour from the RAL palette. **Fasteners (screws)** are made of galvanized steel, which are not painted as standard.

GLOBAL SYSTEM GSF KPR EI rolling fire gates are made in accordance with the harmonized standard: EN 16034:2014, EN 13241:2003+A2:2016.

CONSTRUCTION CONDITIONS

GSF KPR EI15, EI30, EI45, EI60 automatic

The installation conditions specify the space required to the gate installation . All dimensions not shown in the terms and conditions are to be individually.



Dimensions				
So	Ho	B+90	A	B
Opening width [mm]	Opening height [mm]	Minimum lintel height [mm]	Housing depth [mm]	Housing height [mm]
min. = 500 max. = 12000	min. = 500 max. = 6500			
≤ 2000	≤ 2000	320	230	230
≤ 2640	≤ 2100	370	280	280
≤ 2640	≤ 2590	410	320	320
≤ 4000	≤ 3200	440	350	350
≤ 4200	≤ 4000	490	400	400
≤ 5350	≤ 3600	490	400	400
≤ 6000*	≤ 3500	490	400	400
≤ 6400*	≤ 5000	540	450	450
≤ 7500*	≤ 4500	540	450	450
≤ 8500*	≤ 6300	640	550	550
≤ 11000*	≤ 6500	690	600	600
≤ 12000*	≤ 6500	740	650	650
Additional informations				
Side columns width [mm]	179			
Side columns depth [mm]	77			
Coat weight (per 1 m ²) [kg]	Aprox. 6,5			
Coat thickness [mm]	Aprox. 8-12			

* External drive

Warning:

The surface for mounting the gate, upper head box and the side guides must be vertical and even (smooth), tolerance 1mm/m. Otherwise, the customer is obliged to level the surface before installation.

The documentation made by GLOBAL SYSTEM is protected by copyright.

The manufacturer has the right to change the dimensions of the development during the execution of the order.

The manufacturer reserves the form of legalization of the product in case of order.

All additional information to be agreed with the GLOBAL SYSTEM Technical Department

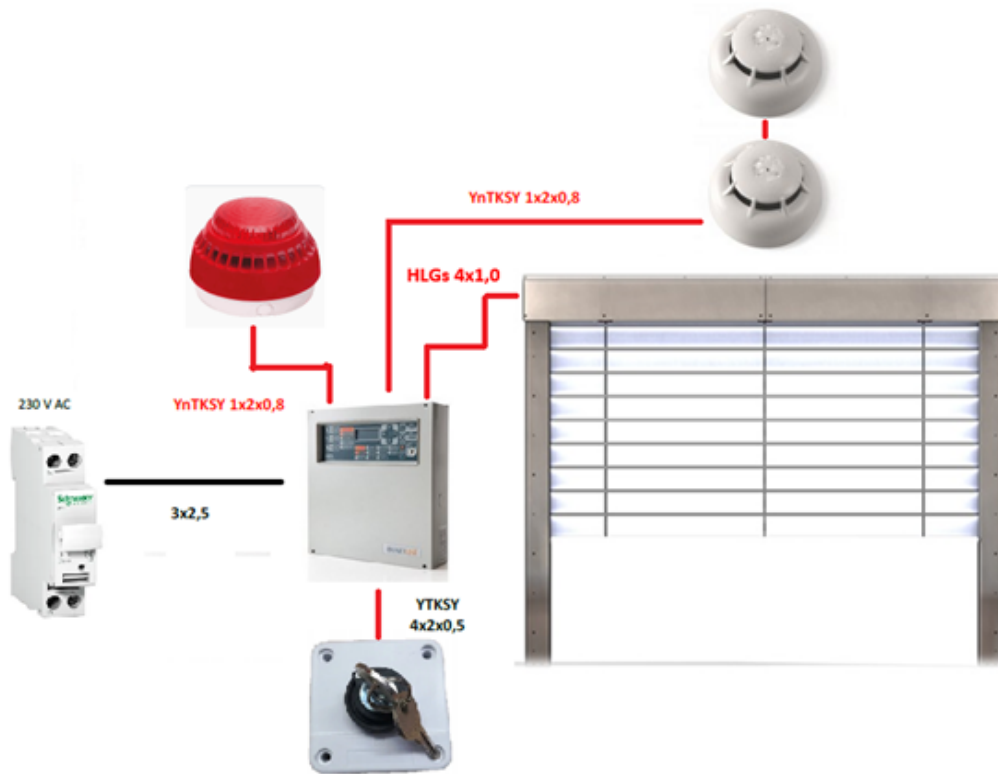
GSF KPR EI15, EI30, EI45, EI60 automatic POWER SUPPLY

Main Dimensions		Power			Model properties		
So	Ho	Electric current	Power consumption	Voltage	Fire-resistance Rating	Internal drive	External drive
Opening width [mm] min. = 500 max. = 12000	Opening high [mm] min. = 500 max. = 6500						
≤ 2000	≤ 2000	2,6A	55W	24V	EI15, EI30, EI45, EI60	x	
≤ 2640	≤ 2100	2,6A	55W	24V	EI15, EI30, EI45, EI60	x	
≤ 2640	≤ 2590	2,6A	55W	24V	EI15, EI30, EI45, EI60	x	
≤ 4000	≤ 3200	5,0A	120W	24V	EI15, EI30, EI45, EI60	x	
≤ 4200	≤ 4000	5,0A	120W	24V	EI15, EI30, EI45, EI60	x	
≤ 5350	≤ 3600	6,8A	163W	24V	EI15, EI30, EI45, EI60	x	
≤ 6000*	≤ 3500	6,8A	163W	24V	EI15, EI30, EI45, EI60		x
≤ 6400*	≤ 5000	5,0A	120W	24V	EI15, EI30, EI45, EI60		x
≤ 7500*	≤ 4500	5,0A	120W	24V	EI15, EI30, EI45, EI60		x
≤ 8500*	≤ 6300	6,8A	163W	24V	EI15, EI30, EI45, EI60		x
≤ 11000*	≤ 6500	6,8A	163W	24V	EI15, EI30, EI45, EI60		x
≤ 12000*	≤ 6500	6,8A	163W	24V	EI15, EI30, EI45, EI60		x
Additional option:							
≤ 12000*	≤ 6500	1,13A	260W	230V	EI15, EI30, EI45, EI60	x	x

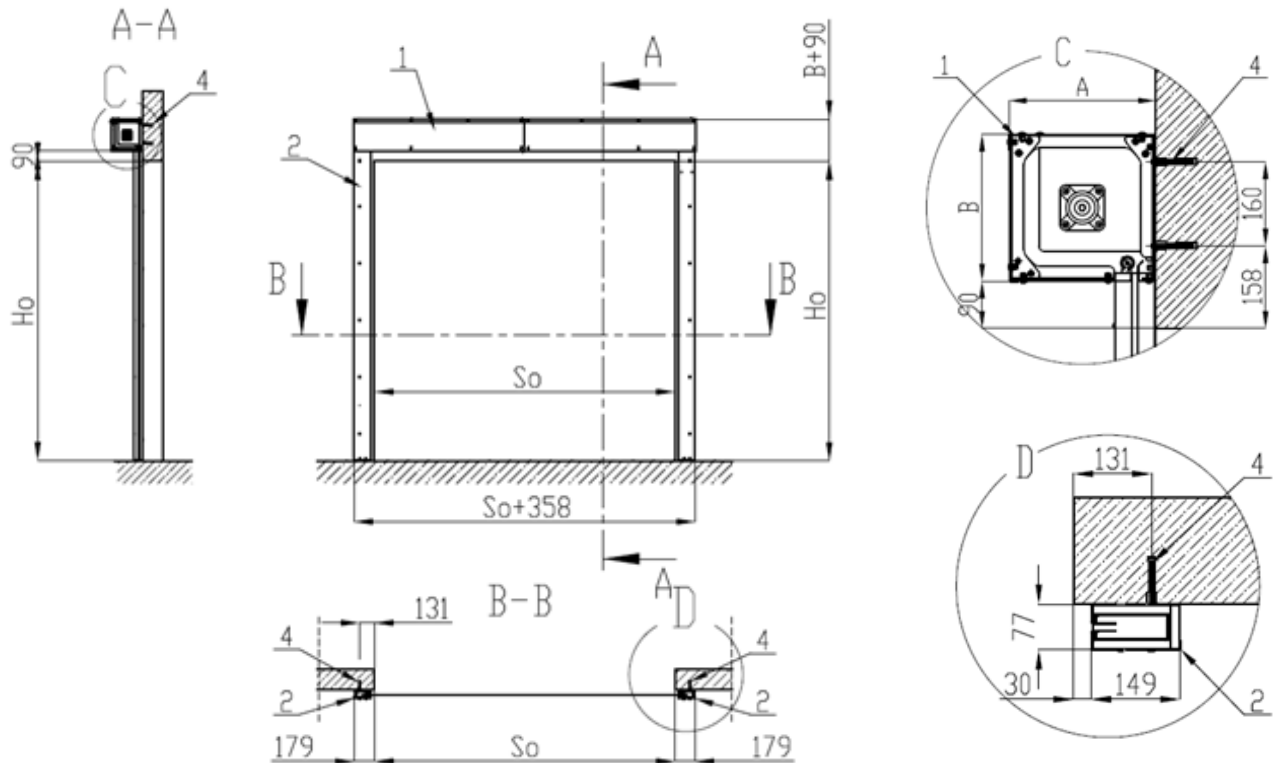
THE CONTROL SYSTEM

Type	Name	Model	Recommended amount	Comments
Fire detector	optical smoke detector	ID100	2	recommended
	heat detector class A1R	ID200	2	ID100, max. 6 pcs
	heat and smoke detector	ID300	2	
Signalic device	acoustic signaling device	SAK-7	1	max. power 200 mA
Engine	tubular	XL200, L120, SIMU	1	
Control unit	Smart Line	020 or 036	1	
Manual control	key switch	SP 22K1	1	
Emergency power supply	batteries	BP 7-12 (12V 7AH)	2	

**GSF KPR EI15, EI30, EI45, EI60 automatic
THE CONTROL SYSTEM**



MAIN DETAILS



So - opening width
Ho - opening height
A - shaft housing depth
B - shaft housing height

1. Shaft housing
2. Guides
3. Coat
4. Fastening

FIRE-RATED ROLLER SHUTTER AUTOMATIC

GSF KPR EI90, EI120

GSF KPR Fire-Rated Roller Shutter by GLOBAL SYSTEM is intended for closing off opening in vertical partitions, both internal and external. The main purpose of the shutter is to **limit the spread of fire and the flow of gases and heat** for 90-120 minutes. Shutters separate fire zones in buildings and enable safe evacuation. They can be applied in public facilities and in other types of buildings. **GSF KPR EI shutter by GLOBAL SYSTEM** is equipped with an electric drive - a tubular motor, usually located on the right side.



▶ TYPES OF FIRE ROLLER SHUTTERS

GSF KPR EI90 – prevents the spread of fire and the flow of gases and heat streams for **90 minutes**

GSF KPR EI120 – prevents the spread of fire and the flow of gases and heat streams for **120 minutes**

▶ GATE CONSTRUCTION

Rolling door consists of: curtain coat, shaft housing, guides, ballast strip, electric drive, control unit.



- Limits the flow of flames, gases and heat ✓
- Separation of fire zones ✓
- Ensures the safe evacuation ✓
- Compact, light construction ✓
- Easy to assemble ✓

▶ ADDITIONAL INFORMATION

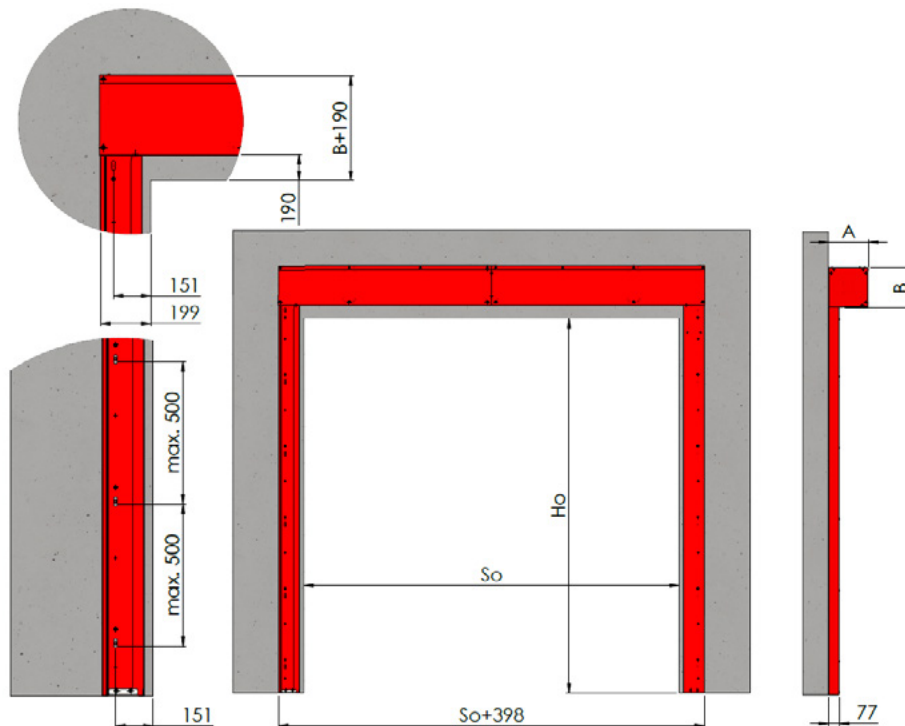
The **curtain gate coat** is made of fire-proof fabric, which is wound on a shaft and fixed between the guides. The door is controlled by the **control panel**, which starts the motor and lowers the curtain when it receives a signal from a smoke detector or from the fire alarm system. In case of power failure, the control panel is supplied by built-in batteries. The emergency power supply time is up to 24 hours. **Shaft casing and guides of the curtain gate** are made of galvanized steel sheet as a standard. All elements made of galvanized sheet can be painted in any colour from the RAL palette. **Fasteners (screws)** are made of galvanized steel, which are not painted as standard.

GLOBAL SYSTEM GSF KPR EI rolling fire gates are made in accordance with the harmonized standard: EN 16034:2014, EN 13241:2003+A2:2016.

CONSTRUCTION CONDITIONS

GSF KPR EI90, EI120 automatic

The installation conditions specify the space required for the gate installation. All dimensions not shown in the terms and conditions are to be individually.



Dimensions				
So	Ho	B+190	A	B
Opening width [mm]	Opening height [mm]	Minimum lintel height [mm]	Housing depth [mm]	Housing height [mm]
min. = 500 max. = 10000	min. = 500 max. = 6300			
≤ 2000	< 7000	470	280	280
≤ 4000	≤ 3200	540	350	350
< 3200	≤ 4000	590	400	400
≤ 4800*	≤ 3600	590	400	400
≤ 5400*	≤ 3500	590	400	400
≤ 5400*	≤ 4500	640	450	450
≤ 5400*	≤ 5000	640	450	450
≤ 5400*	< 6300	790	600	600
≤ 8400*	≤ 6300	840	650	650
< 9800*	≤ 6300	940	750	750
≤ 10000*	≤ 6200	940	750	750
Additional informations				
Side columns width [mm]	179			
Side columns depth [mm]	77			
Coat weight (per 1 m ²) [kg]	Aprox. 6,5			
Coat thickness [mm]	Aprox. 8-12			

* external drive - from the drive side, an additional 140 mm of side space should be provided

Warning:

The surface for mounting the gate, upper head box and the side guides must be vertical and even (smooth), tolerance 1mm/m.

Otherwise, the customer is obliged to level the surface before installation.

The documentation made by GLOBAL SYSTEM is protected by copyright.

The manufacturer has the right to change the dimensions of the development during the execution of the order.

The manufacturer reserves the form of legalization of the product in case of order.

All additional information to be agreed with the GLOBAL SYSTEM Technical Department

Side 10

GSF KPR EI90, EI120 automatic

POWER SUPPLY

Opening width [mm]	Opening height [mm]	Electric current	Power consumption	Voltage	Fire-resistance Rating	Internal drive	External drive
min. - 500 max. - 10000	min. - 500 max. - 6300						
≤ 2000	≤ 2000	5,0A	120W	24V	EI90, EI120	x	
≤ 4000	≤ 3200	5,0A	120W	24V	EI90, EI120	x	
≤ 3200	≤ 4000	6,8A	163W	24V	EI90, EI120	x	
≤ 4800	≤ 3600	6,8A	163W	24V	EI90, EI120		x
≤ 5400	≤ 3500	5,0A	120W	24V	EI90, EI120		x
≤ 5400	≤ 4500	5,0A	120W	24V	EI90, EI120		x
≤ 5400	≤ 5000	5,0A	120W	24V	EI90, EI120		x
< 5400	≤ 6300	5,0A	120W	24V	EI90, EI120		x
≤ 8400	< 6300	5,0A	120W	24V	EI90, EI120		x
≤ 9800	< 6300	5,0A	120W	24V	EI90, EI120		x
≤ 10000	≤ 6200	5,0A	120W	24V	EI90, EI120		x

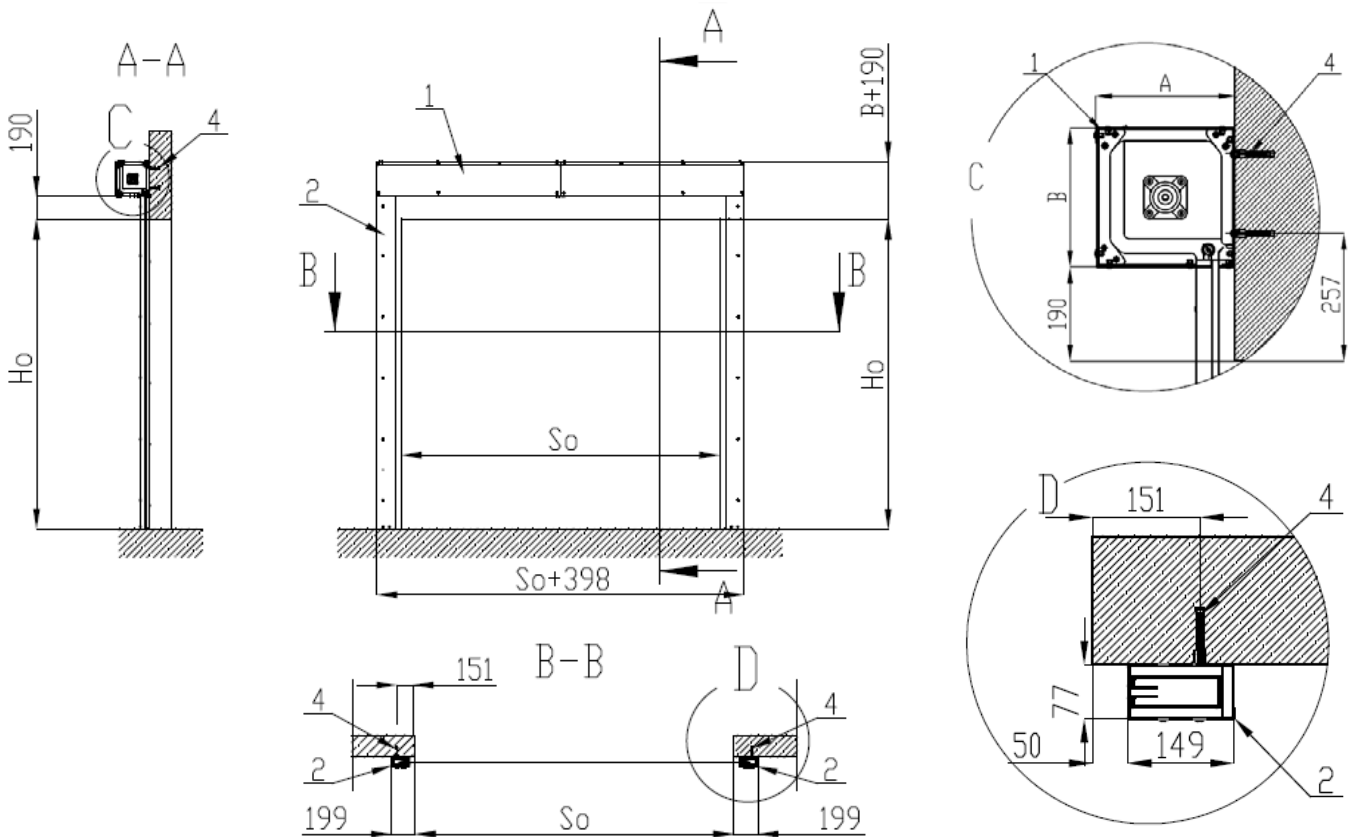
THE CONTROL SYSTEM

Type	Name	Model	Recommended amount	Comments
Fire detector	optical smoke detector	ID100	2	recommended
	heat detector class A1R	ID200	2	ID100, max. 6 pcs
	heat and smoke detector	ID300	2	
Signalic device	acoustic signaling device	SAK-7	1	max.power 200 mA
Engine	tubular	XL200, XL120	1	
Control unit	Smart Line	020 or 036	1	
Manual control	key switch	SP 22K1	1	
Emergency power supply	batteries	BP 7-12 (12V 7AH)	2	



GSF KPR EI90, EI120 automatic

MAIN DETAILS



So - opening width
 Ho - opening height
 A - shaft housing depth
 B - shaft housing height

1. Shaft housing
 2. Guides
 3. Coat
 4. Fastening